

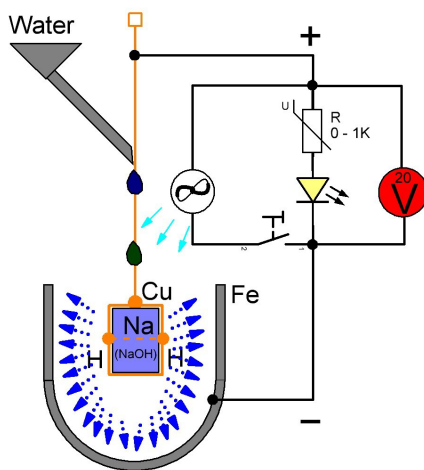
# Direct power generation with Sodium, Water and freely hanging anode surrounded by the cathode.

March 14, 2022 / Hans Ulrich Stalder (C)

The present experimental setup (a very small system) uses sodium (Na) and water (H<sub>2</sub>O) for direct power generation (electricity). The electrical voltage was too small to light up an LED, but the finale was brilliantly big.

YOUTUBE-Video:

[https://youtu.be/guZECgp5x\\_Y](https://youtu.be/guZECgp5x_Y)



March 14, 2022 / H.U. Stalder



**Sodium (Na)**



**Dangerous!**

## Product information

- Sodium (Na) metallic (under paraffin oil, pure 99.9%)
- Water (H<sub>2</sub>O)

## Disclaimer

This experimental setup was created with due care and to the best of the author's knowledge. Expertise in handling chemicals is required. A copy may only be carried out by persons trained in this regard. We are not legally responsible for incorrect or correct information or the consequences thereof. Contents of external websites on which we are linking direct or indirect (through „hyperlinks“ or „deeplinks“) are beyond our responsibility and are not adopted as our own content. Subject to change without notice.

\* \* \* \* \*